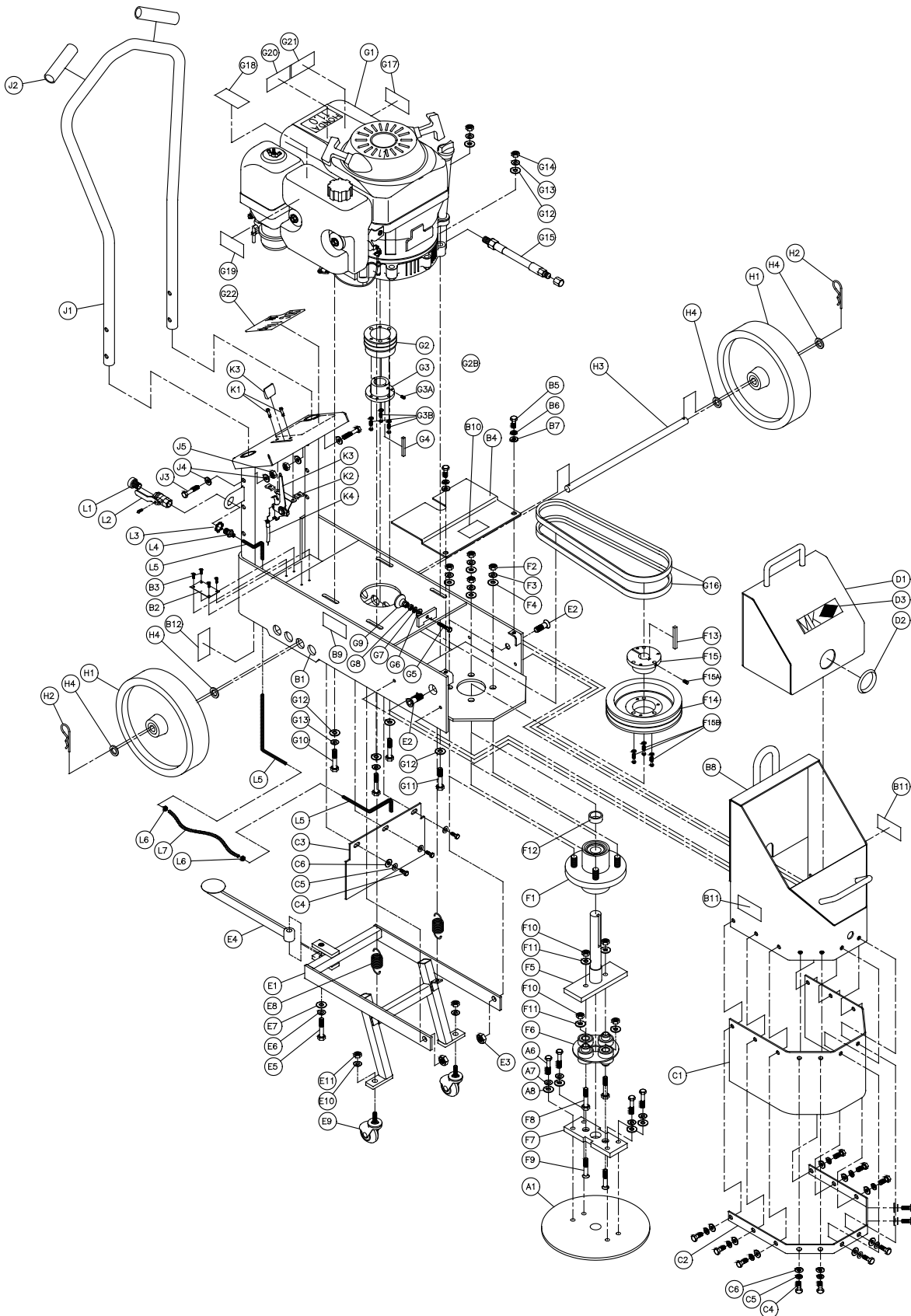


Gas Engine





Item	Description	Qty	Part No.
<b>A</b>	<b>Assembly, Accessory Pack</b>		
A1	Grinding Wheels 10" (Reference only)	0	Reference
A2	Pallet (not shown)	1	158259
A3	Carton, SDG-11 Grinder (not shown)	1	158272
A4	Tube, Owner's Manual (not shown)	1	155419
A5	Manual, Owner's (not shown)	1	158273
A6	Bolt, Hex HD, 3/8-24 x 1 Grinding Disk, Mounting	4	157803
A7	Washer, 3/8 Split Lock	4	150925
A8	Washer, 3/8 SAE Flat	4	150923
<b>B</b>	<b>Assembly, Frame</b>		
B1	Frame Weldment	1	157780
B2	Plate, Serial Number	1	157500
B3	#7 X 5/16 Drive Screw	2	157849
B4	Tray, Weight	1	157785
B5	Screw, 5/16-18 x 3/4 Hex Head	2	151369
B6	Washer, 5/16 lock, split	2	151747
B7	Washer, 5/16 SAE Flat	2	151754
B8	Housing, Weight	1	157783
B9	Label, Caution, Belt Tension	2	155583
B10	Label, Caution, Guards in Place	1	155587
B11	Label, Caution, Hands and Feet	2	155585
B12	Label, Lower/Raise	1	158141
<b>C</b>	<b>Assembly, Skirt</b>		
C1	Skirt, Front	1	157817
C2	Skirt, Retainer	1	157819
C3	Skirt, Rear	1	157818
C4	Screw, 5/16-18 x 3/4 Hex Head	15	151369
C5	Washer, 5/16 lock, split	15	151747
C6	Washer, 5/16 SAE Flat	15	151754
<b>D</b>	<b>Assembly, Weight Box</b>		
D1	Box, Weight	1	157784
D2	Cap, Weight Box	1	157890
D3	Label, 1 3/4 x 5" MK Logo	1	154335
<b>E</b>	<b>Assembly, Lifting Frame</b>		
E1	Frame, Lifting	1	157781
E2	Screw, Flat HD SOC. 1/2-13 x 1"	2	157822
E3	Nut, Center Lock 1/2-13	2	153943
E4	Pedal, Lifting Frame	1	157782
E5	Bolt, 1/2-13 x 2 Hex Head	1	153533
E6	Washer, Lock, Split 1/2	1	153524
E7	Washer, Flat SAE 1/2	1	150924
E8	Spring, Lifting Frame	2	157821
E9	Wheel, 2" Caster (LA-E2-XD)	2	160455
E10	Washer, 5/16 lock, split	2	151747
E11	Nut, 5/16-18 Hex	2	101196
<b>F</b>	<b>Assembly, Components, Hub</b>		
F1	Hub, 1" Assembly (3 1/2 C)	1	157820
F2	Nut, Jam 1/2-20	4	154460

F3	Washer, Lock, Split 1/2	4	153524
F4	Washer, Flat SAE 1/2	4	150924
F5	Shaft, 1" Dia Large Gear	1	157302
F6	Flexible Mount, Morflex (Morse 402 Insert)	1	157411
F7	Mount, Grinding Wheel	1	157407
F8	Screw, Hex HD Cap 3/8-16 x 2 1/2	2	156030
F9	Screw, Flt. HD. Sc. 3/8-16 x 2 1/2	2	157562
F10	Nut, 3/8-16, Hex Nylock	4	152505
F11	Washer, 3/8 SAE Flat	4	150923
F12	Spacer, 1 1/4" OD, 1" I.D. x 1 3/8"	1	158257
F13	Key, Square, 1/4 x 1/4 x 1 1/2"	1	157560
F14	Pulley, 2G3V 6.9 SDS	1	160098
F15	QD x 1" SD (D1 reverse mount sheave bushing)	1	157899
<b>G</b>	<b>Assembly, Engine, 11HP Honda</b>		
G1	Engine, Honda GX340k2dx3	1	157067
G2	Pulley, 2G3V 2.20 JA	1	160099
G3	QD x 1" SH (sheave bushing)	1	157900
G4	Key, Square, 1/4 x 1/4 x 1 1/2"	1	157560
G5	Screw, 3/8-16 x 1 3/4" Hex Head Tap	1	158398
G6	Washer, 3/8 SAE Flat	1	150923
G7	Washer, 3/8 Split Lock	1	150925
G8	Nut, 3/8-16 Hex	1	101188
G9	Mount, 3/8-16 Swivel	1	158371
G10	Screw, 5/16-24 x 1" Hex Head	2	157646
G11	Screw, 5/16-18 x 1 3/4" Hex Head Cap	2	150919
G12	Washer, 5/16 SAE Flat	4	101352
G13	Washer, 5/16 Split Lock	4	151747
G14	Nut, 5/16-18 Hex	2	101196
G15	Hose, Oil Drain (20mm)	1	157577-04
G16	Belt, 3VX 375	2	157891
G17	Label, Caution, Hot Surface, 1.5 x 3.0	1	155578
G18	Label, Warning, Refueling, 1.5 x 3.0	1	155580
G19	Label, Danger, California, 1.5 x 3.0	1	155581
G20	Label, Danger, Lethal Exhaust, 1.5 x 3.0	1	155582
G21	Label, Caution, Sparkplug	1	155579
G22	Label, Control Panel (Gas)	1	157888
<b>GB</b>	<b>Assembly, 115/230V, 3Hp Motor</b>		
GD1	Motor, 3Hp 208-230V 60Hz 1725rpm	1	161179
GD2	Pulley, 3V/3V27 x 1-1/8 Bore	1	160625
GD3	Screw, Set, Cup Pt, 1/4-20 x 5/16	1	154226
GD4	Pulley, 3/3V50 x SDSQD	1	160193
GD5	Belt, 3VX355	3	160385
GD6	Screw, Hex Hd, 1/2-13 x 1-1/4	4	153532
GD7	Washer, Lock, Split, 1/2	4	153524
GD8	Washer, Flat, SAE, 1/2	4	150924
GD9	Screw, Hex Hd. Tap, 3/8-16 x 1-3/4	1	158398
GD10	Mount, 3/8-16 Swivel	1	158371
GD11	Pulley, 3/3V50 x SDSQD	1	160193
GD12	Nut, Hex, 1/2-13	4	151282
GD13	Lever, Actuator	1	159540
GD14	Bushing, Switch 30A	1	158799
GD15	Screw, Pan Hd, #6-32 x 5/8	4	157393
GD16	Cover, Switch Box, 30A	1	159539

GD17	Gasket, 30A Switch Box	1	159491
GD18	Seal, Level, 30A Switch Box	1	159492
GD19	Lever, On/Off, 30A Switch Box	1	159490
GD20	Washer, #10 SAE Flat	1	154369
GD21	Washer, Lock, IT, #10	1	158336
GD22	Screw, Pan Head #10-24 x 5/16	1	159494
GD23	Screw, Flat Head 6-32 X 5/16	6	159493
GD24	Switch, 30Amp Motor Controller	1	159488
GD25	Plate, Mounting, Switch	1	159489
GD26	Box, 30A Switch	1	159487
GD27	Connector, Cord LTF29	1	160689
GD28	Nut, MCFL, 1/2NPT	1	152729
GD29	Bracket, MK 212 Switch	1	159864
GD30	Screw, Pan Head Phillips 1/4-20 x 1/2	2	155452
GD31	Washer, Lock, Split, 1/4	2	152591
GD32	Screw, Hex Head Cap 5/16-18 x 3/4	2	151369
GD33	Washer, 5/16 Flat SAE	4	151754
GD34	Washer, 5/16 Split Lock	2	151747
GD35	Nut, 5/16-18 Hex	2	101196
GD36	Label, Control Panel, SDG Elect	1	160046
<b>H</b>	<b>Assembly, Axle</b>		
H1	Wheel, 10"Dia. x 2.5"	2	157889
H2	Cotter Pin, Steel Hairpin, 5/8" - 3/4" x .148" x 2 11/16"	2	158228
H3	Axle, 5/8" Dia.	1	157887
H4	Washer, 5/8 SAE Flat	4	158350
<b>J</b>	<b>Assembly, Handlebar</b>		
J1	Handlebar	1	157786
J2	Handgrip, .875 x 4.25 Neoprene	2	229413
J3	Screw, 3/8-16 X 2 Hex Head Cap	2	153485
J4	Washer, 3/8 SAE Flat	4	150923
J5	Nut, 3/8-16 Nylock Hex	2	152505
<b>K</b>	<b>Assembly, Throttle, Honda</b>		
K1	Screw, 10-24 X 1/2" Pan Head Phillips Cap	2	151744
K2	Nut, 10-24 Clip	2	155407
K3	Assembly, Throttle Head	1	155406
K4	Cable, Throttle, Honda	1	156640
<b>L</b>	<b>Assembly, Water Valve</b>		
L1	Fitting, Brass, 1/2 MNPT x Garden Hose Swivel	1	151322
L2	Valve, Shut-Off, 1/2 FNPT x 1/2 FNPT	1	150843
L3	Nut, 1/2 NPT	1	152729
L4	Fitting, Brass, 1/2 MNPT x 1/4 Compression Fit	1	157563
L5	Tube, 1/4 OD Water	2'	157564
L6	Clamp, 5/8 Hose	2	151198
L7	Hose, Water Vinyl 1/4 x 3/8	6'	132951